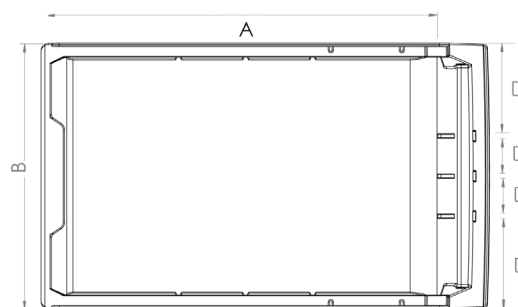
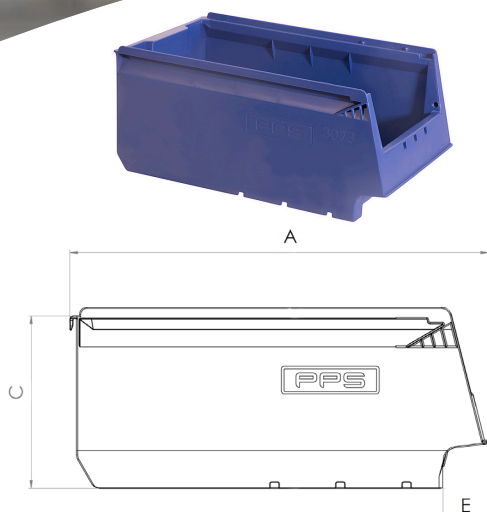


Technical data sheet

STORAGE BINS



STORAGE BINS FOR STORAGE SYSTEMS - All models are available in blue, grey, red and yellow



Model	Length, mm (A)	Width, mm (B)	Height, mm (C)	Dividers	Possible positions of lengthwise divider, from left to right, mm (D)	mm (E)	Pcs/ Box	Pcs/ Pallet	Volume
2076	96	105	45	–	–	15	20	1920	0,45 L
3071	500	310	200	1	92, 39, 39, 92	63	8	48	31,0 L
3072	500	310	250	1	92, 39, 39, 92	63	8	48	38,7 L
3073	350	206	150	1	67, 23, 23, 67	38	16	160	10,8 L
3074	250	148	130	–	–	39	36	432	4,8 L
3075	170	105	75	–	–	27	20	640	1,3 L

DIVIDERS

Model	Divider	Pcs/ Box	Pcs/ Pallet
3071	30711100 Lengthwise divider	35	840
3072	30721100 Lengthwise divider	30	720
3073	30731100 Lengthwise divider	20	960

